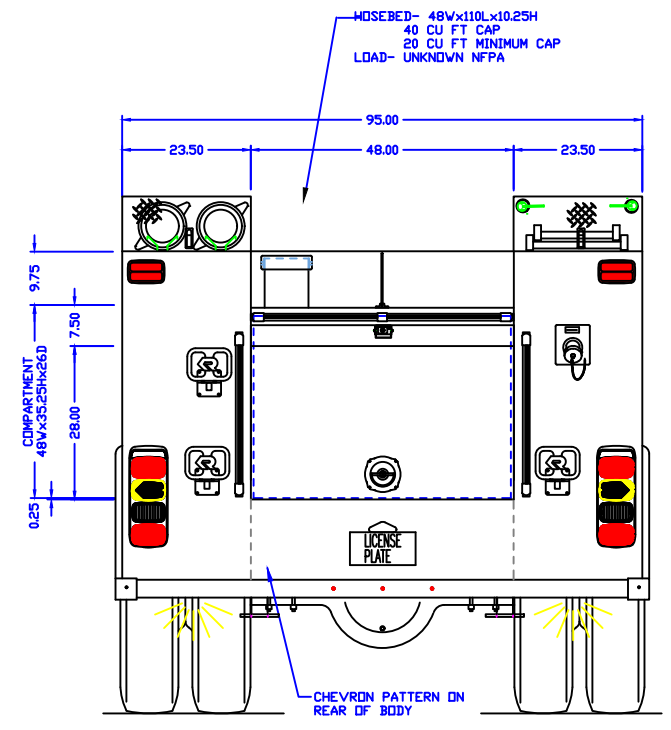
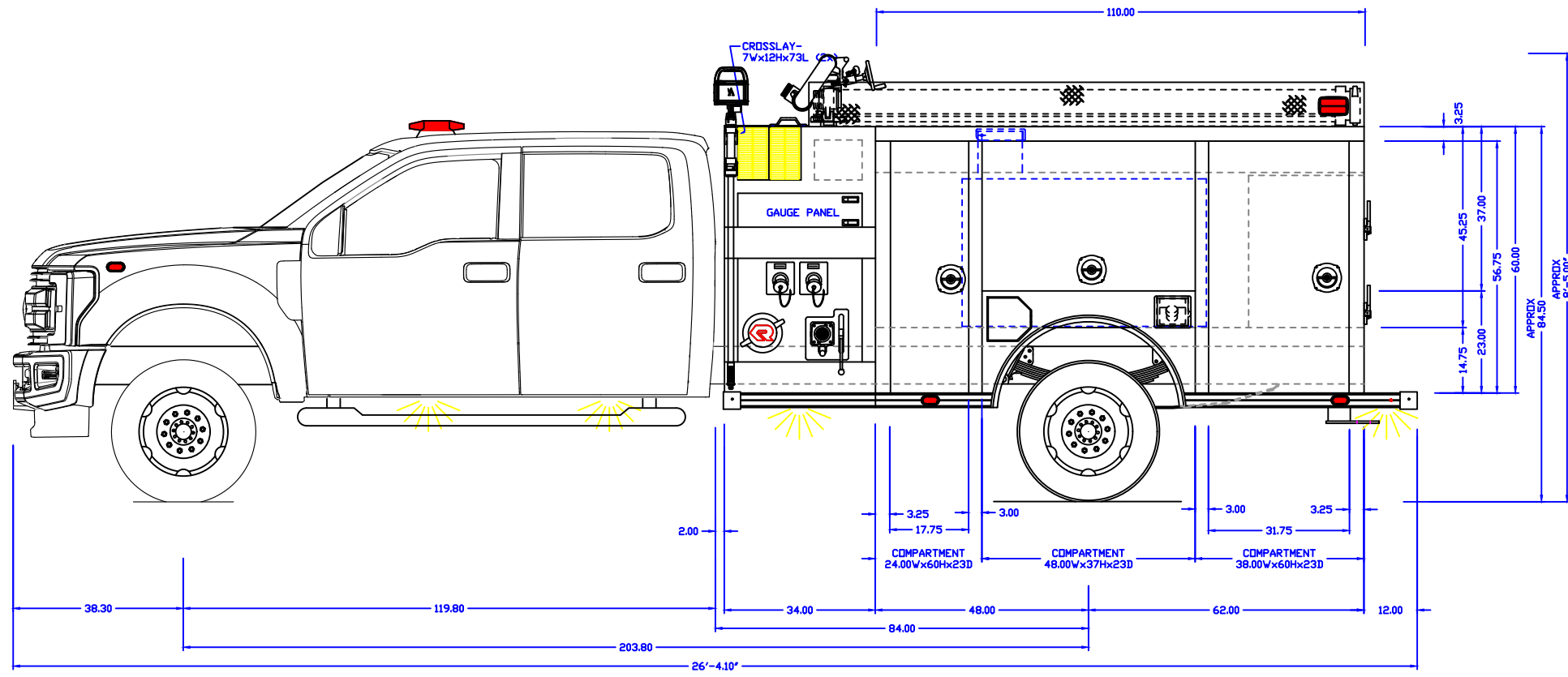
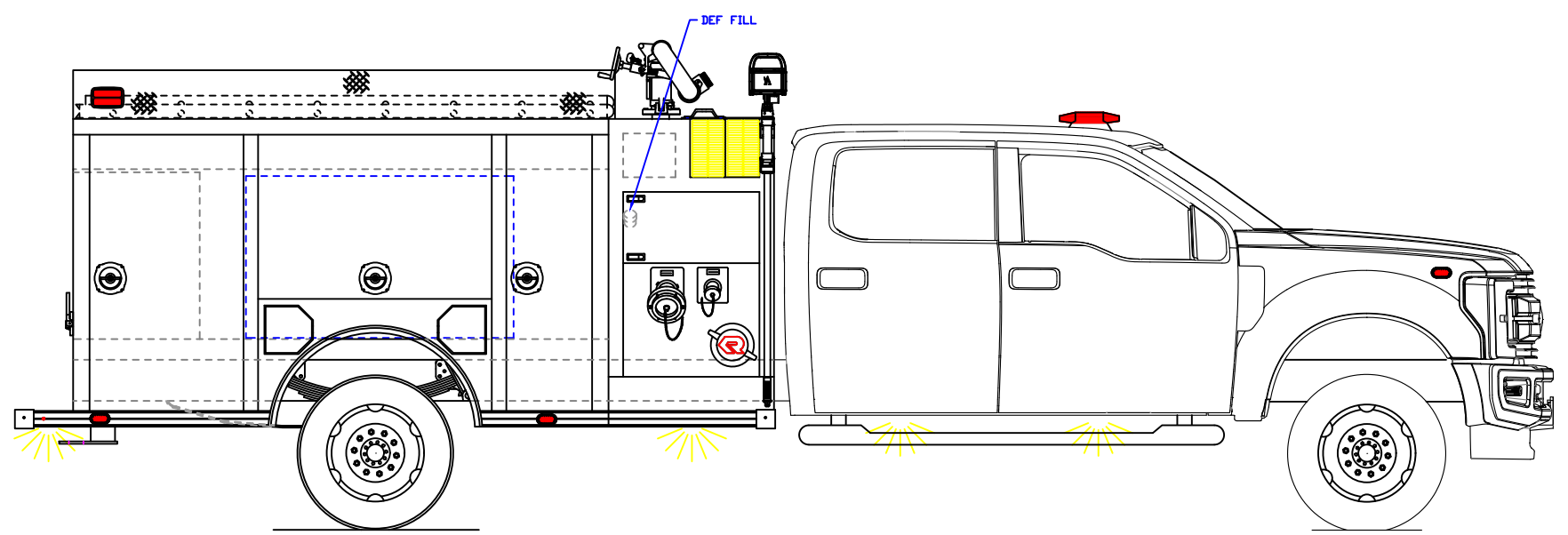


- NOTES:
1. OVERALL HEIGHT IS IN LOADED CONDITION. UNLOADED HEIGHTS MAY BE 4" ABOVE HEIGHTS SHOWN.
 2. DO NOT SCALE DRAWING.
 3. ALL DIMENSIONS ARE APPROXIMATE AND SUBJECT TO ENGINEERING CHANGES.
 4. DRAWING MAY OR MAY NOT SHOW ALL ITEMS AS DESCRIBED IN THE WRITTEN DETAIL SPECIFICATIONS.
 5. INCLUSION OF AN ITEM ON THE DRAWING DOES NOT CONSTITUTE INCLUSION OF THAT ITEM WITH THE FINAL DELIVERED UNIT.
 6. THE EFFECTIVE DOOR OPENINGS WILL BE APPROX. 2" LESS THAN THE NOTED COMPARTMENT OPENING FOR ROLL UP DOORS AND UP TO APPROX. 4" LESS FOR HINGED DOORS



INITIALS: EH
 JOB NUMBER: 3989
 DATE: 1/11/2022

MAIN FILE: -
 DEPT: -
 DEALER: -
PRODUCTION APPROVED



APPROVED BY:

CHASSIS:	FORD 550 4dr 4X4
PUMP:	DARLEY 1250 GPM
TANK:	POLY/300

REVISED: SRN	DATE: 6/24/22		PANEL MATL:	LINE X
REVISED: BVZ	DATE: 1/5/21		COMP INTERIOR:	SWIRLED
REVISED: BVZ	DATE: 12/18/20		MAXIMUM HEIGHT	NONE
DRAWN: BVZ	DATE: 12/8/20		MAXIMUM LENGTH	NONE
			BODY WIDTH	95"

PROPRIETARY AND CONFIDENTIAL
 THE INFORMATION CONTAINED IN THIS DRAWING IS THE SOLE PROPERTY OF ROSENBAUER. ANY REPRODUCTION IN PART OR AS A WHOLE WITHOUT THE WRITTEN PERMISSION OF ROSENBAUER IS PROHIBITED.

NAFECO MINI PUMPER



ROSENBAUER MINI 1/8"
 DRAWING NUMBER: 3989 NAFECO MINI PUMPER
 REV: -